
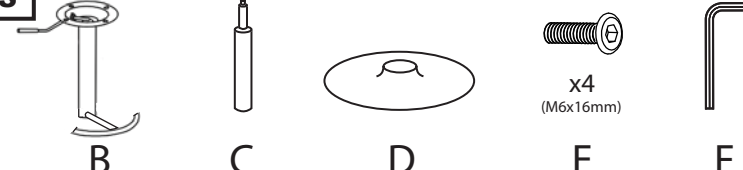



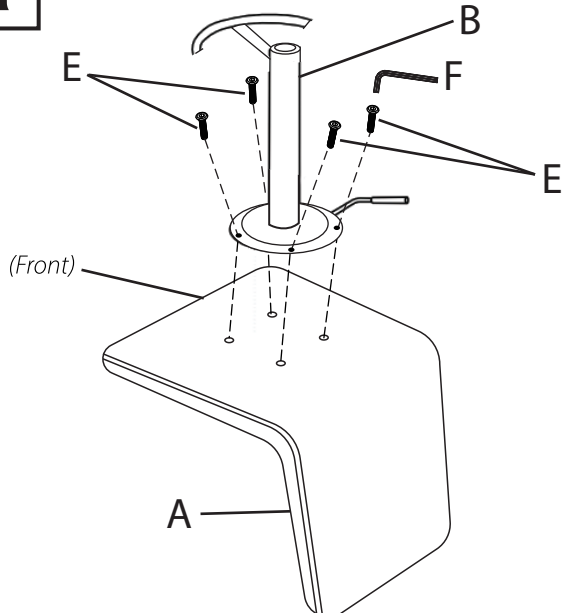
Adjustable Barstool Base - Rounded T

Part # J33-RNT R17 XX+XX

26-0401

 <p>(Seat May Vary) A</p>	<p>PARTS</p>  <p>B C D E F</p>						 <p>x2 (M6x20mm) (Optional) *G</p> <p>x2 (Optional) *H</p>
---	--	--	--	--	--	--	---

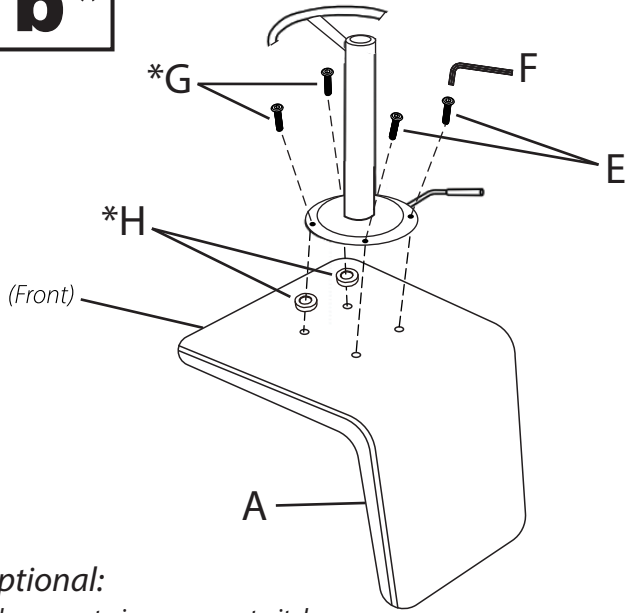
1a For smaller hole pattern



(Front)

A

1b*

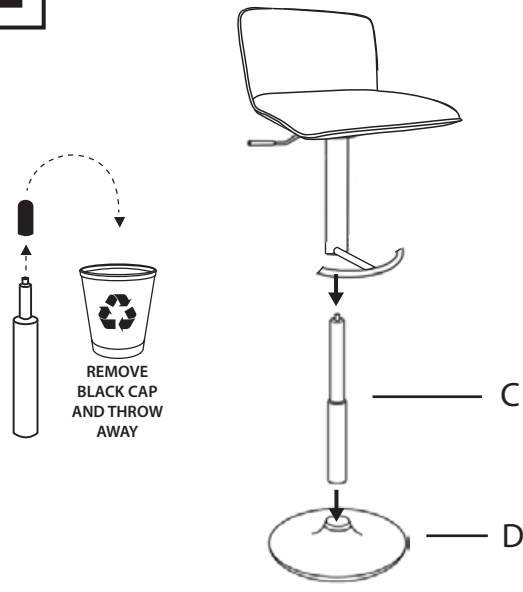


(Front)

A

**Optional:
Add spacers to increase seat pitch.*

2

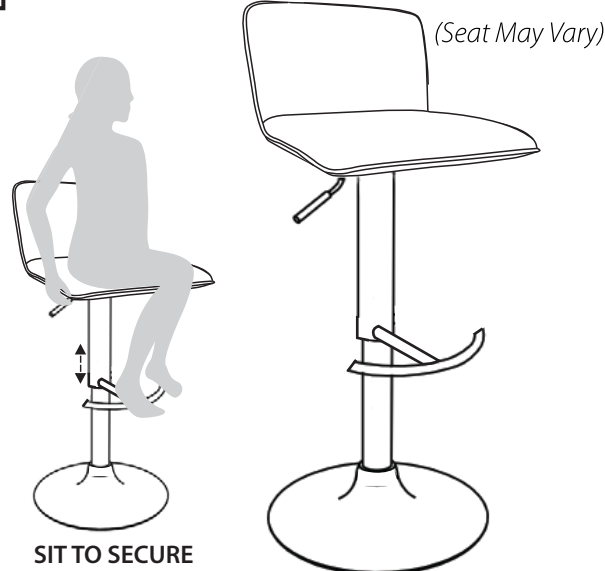


REMOVE BLACK CAP AND THROW AWAY

C

D

3



(Seat May Vary)

SIT TO SECURE







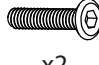






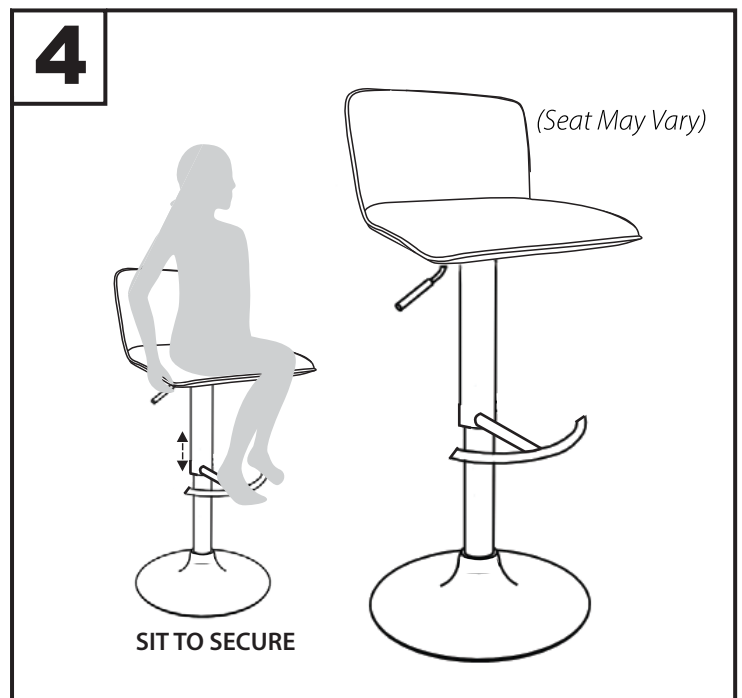
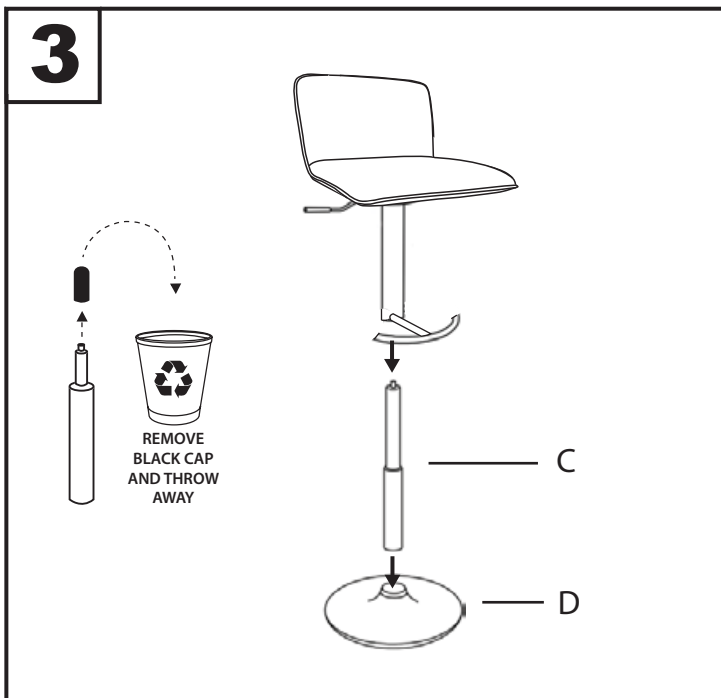
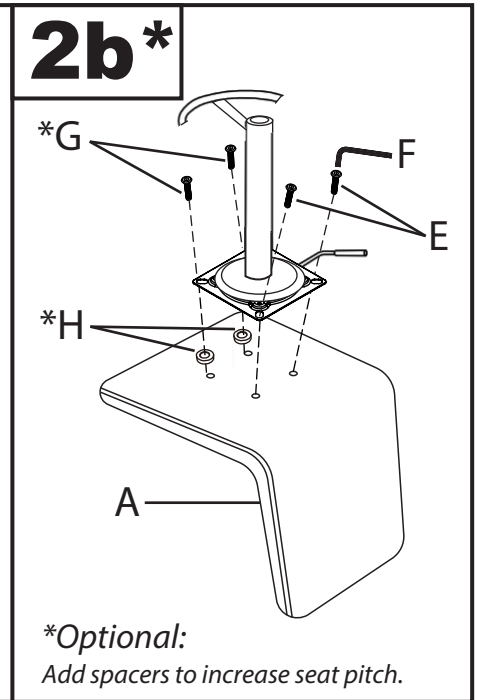
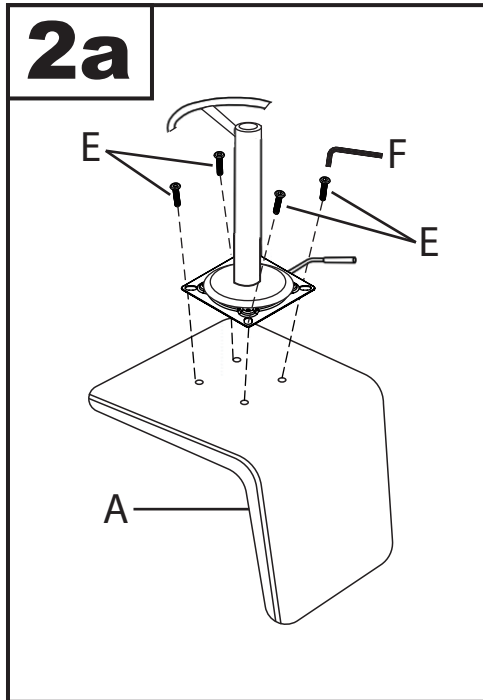
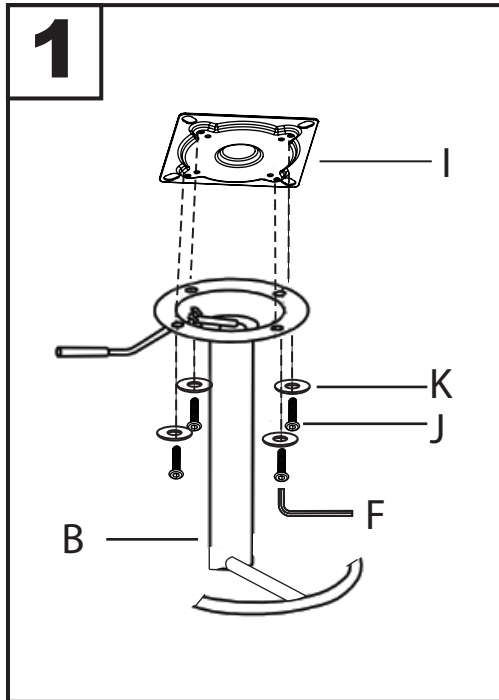
Do not over tighten.
 Do not use power tools to assemble.

Adjustable Barstool Base - Rounded T

Part # J33-RNT R17 XX+XX with 3355ADAP

26-0401

 (Seat May Vary) A	PARTS  B			 C	 D	 x4 (M6x16mm) E	 F	 x2 (M6x20mm) (Optional) * G	 x2 (Optional) * H	 I	 x4 (M6x12mm) J	 x4 K
--	---	--	--	---	---	--	---	---	---	---	--	---



Do not over tighten.
Do not use power tools to assemble.